



6AGM-240

6V 230 Ah (C5)

The Q-Batteries traction batteries are ideal for demanding applications in cleaning machines, lifting platforms, industrial trucks and other industrial areas. The main advantages are the higher capacity and faster charging compared to gel batteries of comparable types. The 6AGM-240 battery can be installed in any position except upside down.

Areas of application:

Electric wheelchair, caravan/marine, cleaning machines, golf cart, vehicle lifts

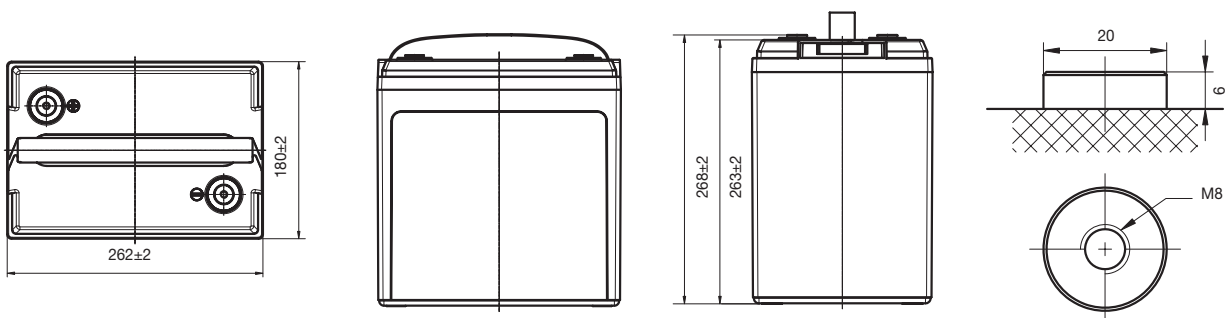


Specification:

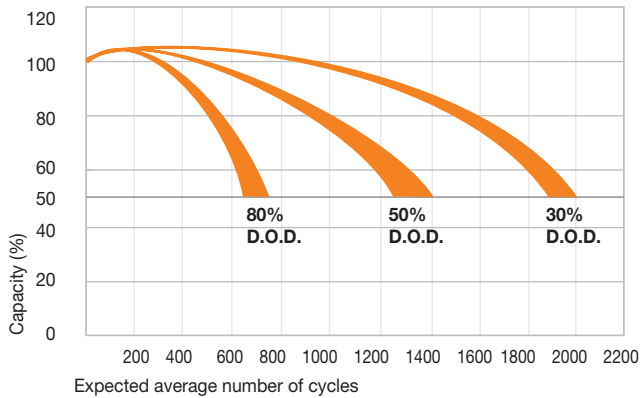
Voltage Per Unit	6 V			
Capacity	268 Ah	(20h) cell voltage 1.8V / cell		
Cells Per Unit	3			
Weight	ca. 32,9kg +/- 3%			
Operating Temperature Range Normal	Discharge: - 15°C – 50°C	Charge: 0°C – 40°C	Storage: - 15°C – 40°C	
Operating Temperature Range	20°C ± 5°C			
Self Discharge	Can be stored for more than 6 months at 25°C. Self-discharge ratio less than 3% per month at 25°C. Please charge batteries before using.			
Terminal	M8			
Container Material	PP (Polypropylene)			

Dimensions:

262 Length x 180 Width x 263 Height in mm (268 mm Height max.)



Cycle life in relation to the discharge depth:



Capacity Factors with different Temperature:

Battery Type		-20°C	-10°C	0°C	5°C	10°C	20°C	25°C	30°C	40°C	45°C
GEL Battery	6V & 12V	50%	70%	83%	85%	90%	98%	100%	102%	104%	105%
	2V	60%	75%	85%	88%	92%	99%	100%	103%	105%	106%
AGM Battery	6V & 12V	46%	66%	76%	83%	90%	98%	100%	103%	107%	109%
	2V	55%	70%	80%	85%	92%	99%	100%	104%	108%	110%

Charging Method:

Charge the batteries at least once every six months, if they are stored at 25°C

Constant Voltage (V)	-0.2C x 2h + 2.4-2.45V/Cell x 24h, max. Current 0.3CA
Constant Current (A)	-0.2C x 2h + 0.1CA x 12h
Fast	-0.2C x 2h + 0.3CA x 4.0h